

BALDOR® • RELIANCE 

Product Information Packet

EJMM3610T-G

3HP,3450RPM,3PH,60HZ,182JM,3532M,TEFC,F1

| Part Detail | | | | | | | |
|-------------|--------|-------------|------------|-------------|--------|---------------|------------|
| Revision: | M | Status: | PRD/A | Change #: | | Proprietary: | No |
| Type: | AC | Elec. Spec: | 35WGQ060 | CD Diagram: | CD0005 | Mfg Plant: | |
| Mech. Spec: | 35Z952 | Layout: | 35LYZ952 | Poles: | 02 | Created Date: | 11-22-2011 |
| Base: | RG | Eff. Date: | 01-21-2019 | Leads: | 9#18 | | |

| Specs | | | |
|---------------------------------|-------------------------|--------------------------------|-----------------|
| Catalog Number: | EJMM3610T-G | Insulation Class: | H |
| Enclosure: | TEFC | Inverter Code: | Inverter Ready |
| Frame: | 182JM | KVA Code: | L |
| Frame Material: | Steel | Lifting Lugs: | No Lifting Lugs |
| Output @ Frequency: | 3.000 HP @ 60 HZ | Locked Bearing Indicator: | Locked Bearing |
| Synchronous Speed @ Frequency: | 3600 RPM @ 60 HZ | Motor Lead Quantity/Wire Size: | 9 @ 18 AWG |
| Voltage @ Frequency: | 460.0 V @ 60 HZ | Motor Lead Exit: | Ko Box |
| | 230.0 V @ 60 HZ | Motor Lead Termination: | Flying Leads |
| XP Class and Group: | None | Motor Type: | 3532M |
| XP Division: | Not Applicable | Mounting Arrangement: | F1 |
| Agency Approvals: | UR | Power Factor: | 92 |
| | CSA EEV | Product Family: | General Purpose |
| | CSA | Pulley End Bearing Type: | Ball |
| Auxillary Box: | No Auxillary Box | Pulley Face Code: | C-Face |
| Auxillary Box Lead Termination: | None | Pulley Shaft Indicator: | Tapped & Key |
| Base Indicator: | Rigid | Rodent Screen: | None |
| Bearing Grease Type: | Polyrex EM (-20F +300F) | RoHS Status: | ROHS COMPLIANT |
| Blower: | None | Shaft Extension Location: | Pulley End |

| | | | |
|---------------------------------------|---------------------------|------------------------------------|---------------------|
| Current @ Voltage: | 3.600 A @ 460.0 V | Shaft Ground Indicator: | Shaft Grounding |
| | 7.200 A @ 230.0 V | Shaft Rotation: | Reversible |
| | 7.900 A @ 208.0 V | Shaft Slinger Indicator: | Shaft Slinger |
| Design Code: | B | Speed Code: | Single Speed |
| Drip Cover: | No Drip Cover | Motor Standards: | NEMA |
| Duty Rating: | CONT | Starting Method: | Direct on line |
| Electrically Isolated Bearing: | Not Electrically Isolated | Thermal Device - Bearing: | None |
| Feedback Device: | NO FEEDBACK | Thermal Device - Winding: | None |
| Front Face Code: | Standard | Vibration Sensor Indicator: | No Vibration Sensor |
| Front Shaft Indicator: | None | Winding Thermal 1: | None |
| Heater Indicator: | No Heater | Winding Thermal 2: | None |

Nameplate NP3441LUA

| | | | | | | | | |
|----------------------------|----------------------------|--|----------------|------|-----|-----|-------|---|
| CAT.NO. | EJMM3610T-G | | | | | | | |
| SPEC | 35Z952Q060G1 | | | | | | | |
| HP | 3 | | | | | | | |
| VOLTS | 230/460 | | | | | | | |
| AMPS | 7.2/3.6 | | | | | | | |
| RPM | 3450 | | | | | | | |
| FRAME | 182JM | | HZ | 60 | | PH | 3 | |
| SF | 1.15 | | CODE | L | DES | B | CLASS | H |
| NEMA NOM. EFF | 86.5 | | PF | 92 | | | | |
| RATING | 40C AMB-CONT | | | | | | | |
| CC | 010A | | USABLE AT 208V | | | 7.9 | | |
| ENCL | TEFC | | SER | | | | | |
| DE | 6207 | | ODE | 6205 | | | | |
| VPWM INVERTER READY | | | | | | | | |
| CT6-60H(10:1)VT3-60H(20:1) | | | | | | | | |
| | 50Hz 3HP 190/380V 8.8/4.4A | | | | | | | |
| | SF1.0 | | | | | | | |

| Parts List | | |
|-------------|--|----------|
| Part Number | Description | Quantity |
| SA234954 | SA 35Z952Q060G1 | 1.000 EA |
| RA221919 | RA 35Z952Q060G1 | 1.000 EA |
| 34FN3002B01 | EXTERNAL FAN, PLASTIC, .637/.639 HUB W/ | 1.000 EA |
| NS2512A01 | INSULATOR, CONDUIT BOX X | 1.000 EA |
| 35CB3009 | 35 CB W/1.09 DIA. LEAD HOLE @ 6: | 1.000 EA |
| 36GS1000SP | GASKET-CONDUIT BOX, .06 THICK #SV-330 LE | 1.000 EA |
| 51XB1016A07 | 10-16 X 7/16 HXWSSLD SERTYB | 2.000 EA |
| 11XW1032G06 | 10-32 X .38, TAPTITE II, HEX WSHR SLTD U | 1.000 EA |
| 35EP3123F03 | F00 W/CSINK LCK BRG,FH MTG | 1.000 EA |
| HW4500A01 | 1641B(ALEMITE)400 UNIV, GREASE FITT | 1.000 EA |
| 51XN1032A18 | 10-32 X 1 1/8 HX WS SL SR (ESKAY) | 2.000 EA |
| 35EP1312A29 | PU ENDPLATE, MACH, NO LOCKED BRG | 1.000 EA |
| HW4500A01 | 1641B(ALEMITE)400 UNIV, GREASE FITT | 1.000 EA |
| HW5100A07 | W2816-030 WVY WASHER (WB) | 1.000 EA |
| 35FH4005A02 | IEC FH W/GREASER - W/PRIMER | 1.000 EA |
| 51XW1032A06 | 10-32 X .38, TAPTITE II, HEX WSHR SLTD S | 3.000 EA |
| 35CB4521 | 35 LIPPED CB LID (GALV & PHOSPH) | 1.000 EA |
| 35GS1030 | 35 GS FOR CB LID - LEXIDE | 1.000 EA |
| 51XW0832A07 | 8-32 X .44, TAPTITE II, HEX WSHR SLTD SE | 4.000 EA |
| HA1005A07 | SLINGER, OD 2.25, ID 1.344, 307 BRG | 1.000 EA |
| HW2501D13 | KEY, 3/16 SQ X 1.375 | 1.000 EA |
| HA7000A01 | KEY RETAINER 7/8" DIA SHAFT | 1.000 EA |
| 85XU0407S04 | 4X1/4 U DRIVE PIN STAINLESS | 2.000 EA |
| LB1459 | AEGIS SGR LABEL "AEGISLBL-100" | 1.000 EA |

| Parts List (continued) | | |
|-------------------------------|--|-----------------|
| Part Number | Description | Quantity |
| MJ1000A02 | GREASE, MOBIL POLYREX EM - 124047 | 0.050 LB |
| 51XB1214A16 | 12-14X1.00 HXWSSLD SERTYB | 1.000 EA |
| MG1000Y03 | MUNSELL 2.53Y 6.70/ 4.60, GLOSS 20, | 0.017 GA |
| HA3100A18 | THRUBOLT 10-32 X 9.250 | 4.000 EA |
| LC0005E01 | CONN.DIA./WARNING LABEL (LC0005/LB1119N) | 1.000 EA |
| MN416A01 | TAG-INSTAL-MAINT no wire (1200/bx) 3/19 | 1.000 EA |
| NP3441LUA | ALUM SUPER-E VPWM INV READY UL CSA-EEV C | 1.000 EA |
| 35PA1007 | PKG GRP, PRINT PK1034A06 | 1.000 EA |

AC Induction Motor Performance Data

Record # 53134 - Typical performance - not guaranteed values

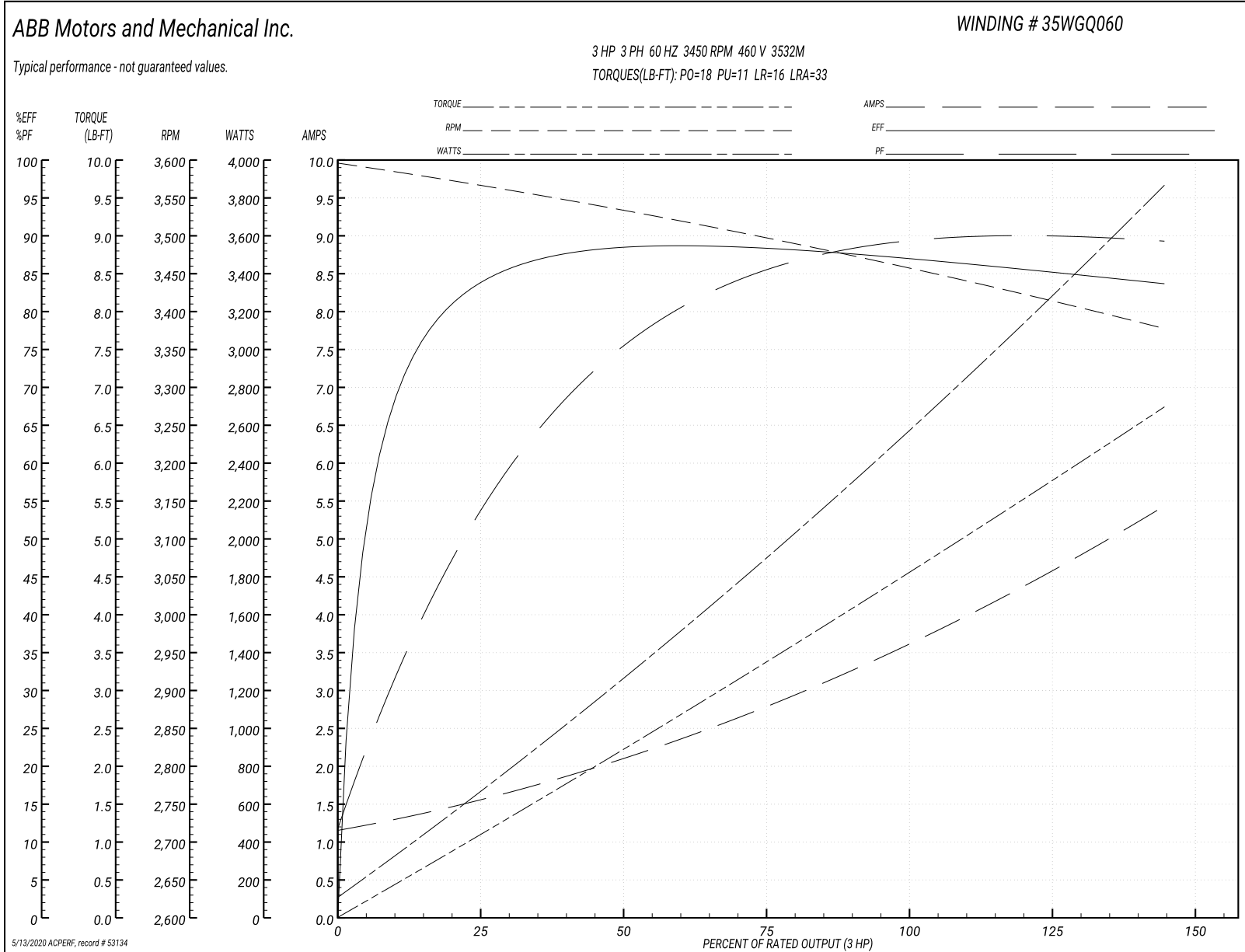
| | | |
|-------------------------------|--------------------|------------------------|
| Winding: 35WGQ060-R024 | Type: 3532M | Enclosure: TEFC |
|-------------------------------|--------------------|------------------------|

| Nameplate Data | | | | 460 V, 60 Hz: High Voltage Connection | |
|-----------------------|--------------|--------------|----|--|---------------------------|
| Rated Output (HP) | 3 | | | Full Load Torque | 4.5 LB-FT |
| Volts | 230/460 | | | Start Configuration | direct on line |
| Full Load Amps | 7.2/3.6 | | | Breakdown Torque | 18 LB-FT |
| R.P.M. | 3450 | | | Pull-up Torque | 11 LB-FT |
| Hz | 60 | Phase | 3 | Locked-rotor Torque | 16 LB-FT |
| NEMA Design Code | B | KVA Code | L | Starting Current | 33 A |
| Service Factor (S.F.) | 1.15 | | | No-load Current | 1.2 A |
| NEMA Nom. Eff. | 86.5 | Power Factor | 92 | Line-line Res. @ 25°C | 4.7 Ω |
| Rating - Duty | 40C AMB-CONT | | | Temp. Rise @ Rated Load | 61°C |
| S.F. Amps | | | | Temp. Rise @ S.F. Load | 73°C |
| | | | | Locked-rotor Power Factor | 47.1 |
| | | | | Rotor inertia | 0.0885 LB-FT ² |

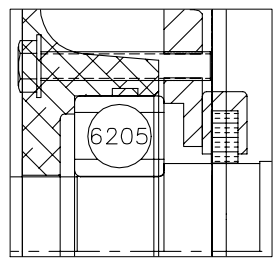
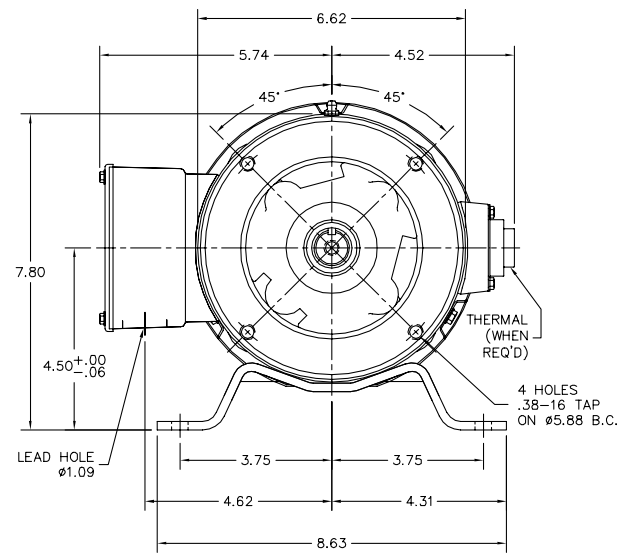
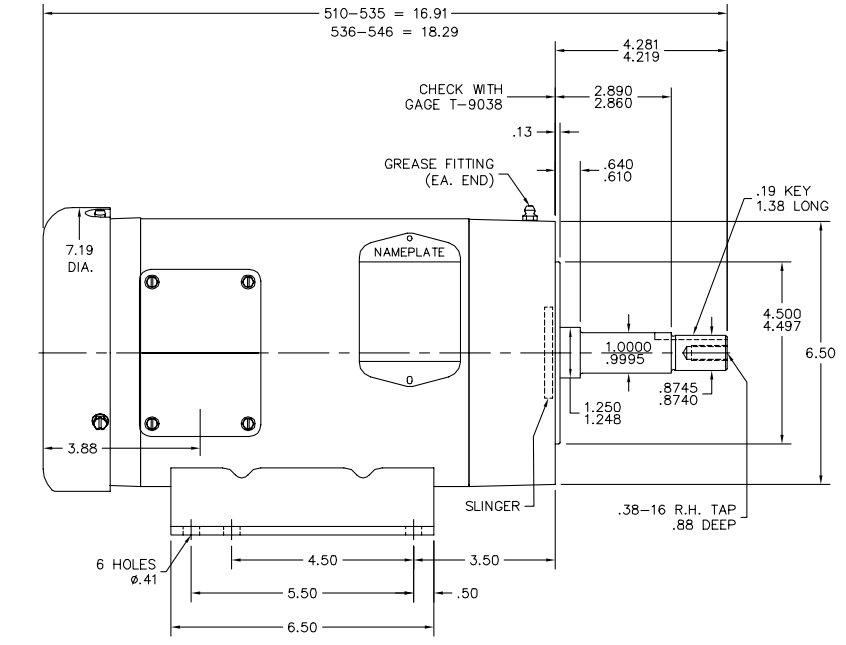
Load Characteristics 460 V, 60 Hz, 3 HP

| % of Rated Load | 25 | 50 | 75 | 100 | 125 | 150 | S.F. |
|-----------------|------|------|------|------|------|------|------|
| Power Factor | 57 | 77 | 85 | 88 | 89 | 90 | 89 |
| Efficiency | 84.1 | 87.9 | 88.4 | 87.2 | 85.7 | 83.5 | 86.3 |
| Speed | 3562 | 3531 | 3498 | 3462 | 3421 | 3375 | 3437 |
| Line amperes | 1.5 | 2.1 | 2.8 | 3.6 | 4.5 | 5.4 | 4.14 |

Performance Graph at 460V, 60Hz, 3.0HP Typical performance - Not guaranteed values



35LYZ952



FRONT END DETAIL
(AEGIS SHAFT GROUND)

CUSTOMER IS RESPONSIBLE FOR DETERMINING THAT BALDOR'S PRODUCT WILL PERFORM SUITABLY IN THE INTENDED APPLICATION.

| | | |
|---------------------------------------|------------------------------|-------------------|
| REV. DESC: UPDATE ENDPLATES AND NOTES | | |
| REV. LTR: A | VERSION: 01 | TDR: 000001068754 |
| FILE: \AAA\00187\007 | REVISED: 03:44:33 04/25/2018 | BY: FGCHAH1 |
| MTL: - | | |

BALDOR - RELIANCE®

HORZ 182-4JM TEFC 35M W/1.09 LEAD HOLE, AEGIS INT SH GND

SH 1 of 1

35LYZ952

CD0005

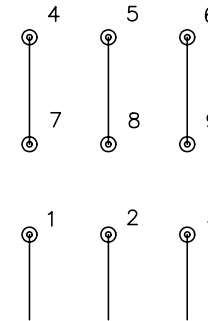


LOW VOLTAGE
(2Y)



LINE

HIGH VOLTAGE
(1Y)



LINE

NOTES:

1. INTERCHANGE ANY TWO LINE LEADS TO REVERSE ROTATION.
2. OPTIONAL THERMOSTATS ARE PROVIDED WHEN SPECIFIED.
3. ACTUAL NUMBER OF INTERNAL PARALLEL CIRCUITS MAY BE A MULTIPLE OF THOSE SHOWN ABOVE.
4. LEAD COLORS ARE OPTIONAL. LEADS MUST ALWAYS BE NUMBERED AS SHOWN.

| | | | |
|---|---------|-------------------------|--------------|
| REV. DESC: REVISE TO SHOW OPTIONAL COLORS | | | |
| REV. LTR: E | BY: JLP | REVISED: 01/19/99 10:15 | TDR: 0171435 |
| 90000 | | FILE: AAA00005140 | MDL: - |
| | | MTL: - | |

BALDOR ELECTRIC Co.

3PH, DV, 9 LEADS

CD0005